



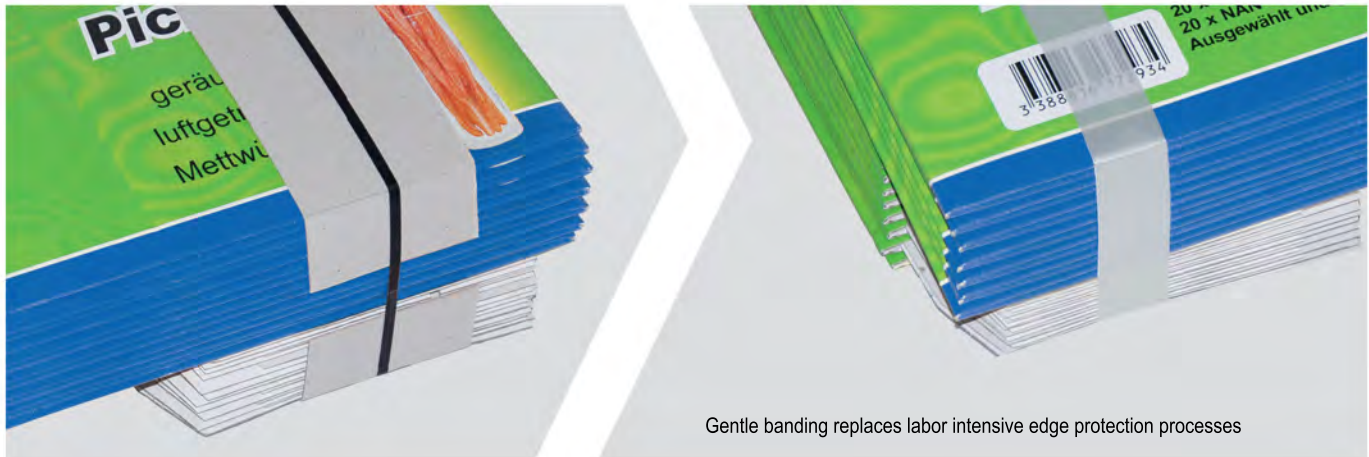
**Cost-efficient bundling
of corrugated stacks.**

CHALLENGE

The packaging requirements of corrugated manufacturers:

Less waste, lower labor costs

Corrugate manufacturers often rely on narrow straps to bundle printed stacks. This leads to edge damage of the top and bottom pieces of the product stack, creating waste and increased production costs.



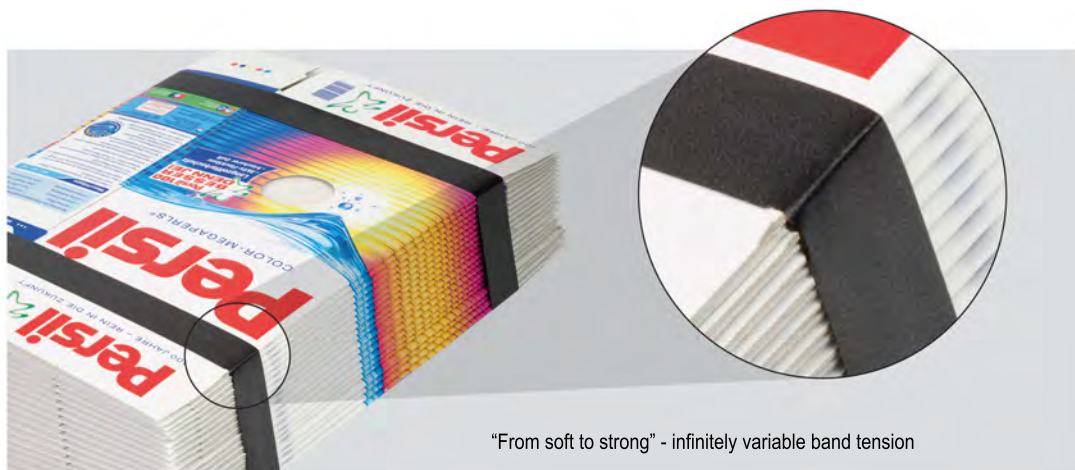
A solution is needed that provides clean, protected packaging according to the “zero damage” principle; without any denting, scratched printing areas and marking generated by excessive pressure.

SOLUTION

The efficiency-enhancing ATS Solution:

Edge protection banding

Thanks to the latest ATS banding technology, high quality printed corrugated stacks can be bundled without damaging the edges. Even the top and bottom pieces arrive in perfect condition to the end customer.



Benefits Include:

- > More efficiency and seamless production through automatic stacking, banding and band changing.
- > Banding with paper or plastic; bundling of all corrugated qualities.
- > Perfect stacks, thanks to the automatic alignment on all sides in the banding machine.
- > Efficiency plus, thanks to automation and less handwork (no manual application of waste cuttings to protect product).
- > Less overruns of high quality printed products to compensate for strap damage, thus few customer credits.

ATS machines for corrugated banding:

From stand-alone to automation

With immense experience in the print and corrugated industry and well-founded knowledge in mechanical engineering, we solve every problem through an individual solution to band corrugated stacks efficiently.

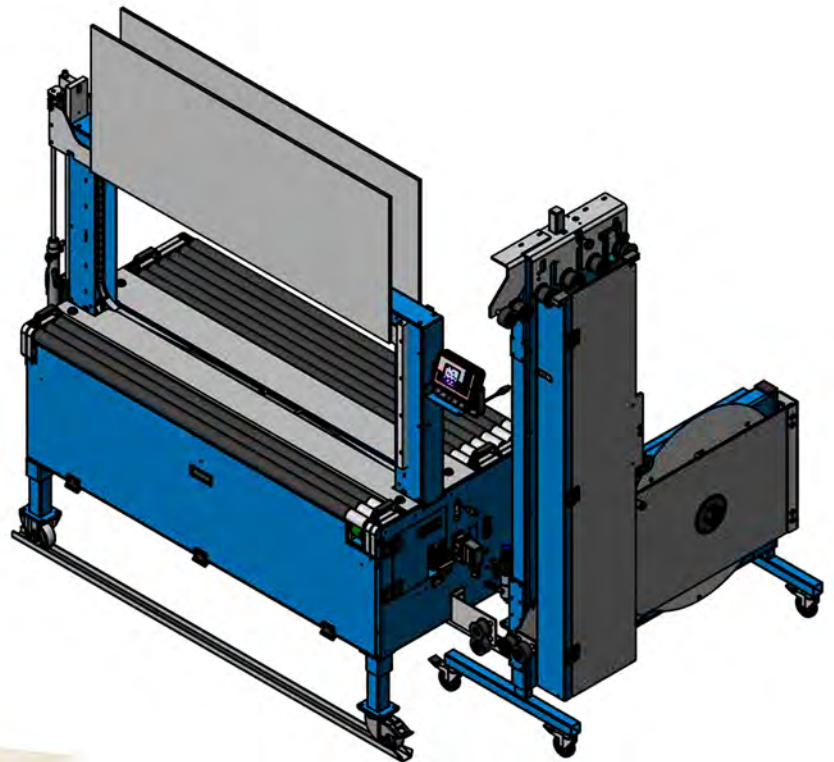


US-2000 AST-MDM 900 x 500

- > Flat banding top
- > Adjustable back plate option
- > Easily moveable
- > Up to 22 bands per minute

US-2000 AFD-J 1300x500

- > Driven rollers
- > Compression
- > Jumbo roll material dispenser
- > Up to 22 bands per minute



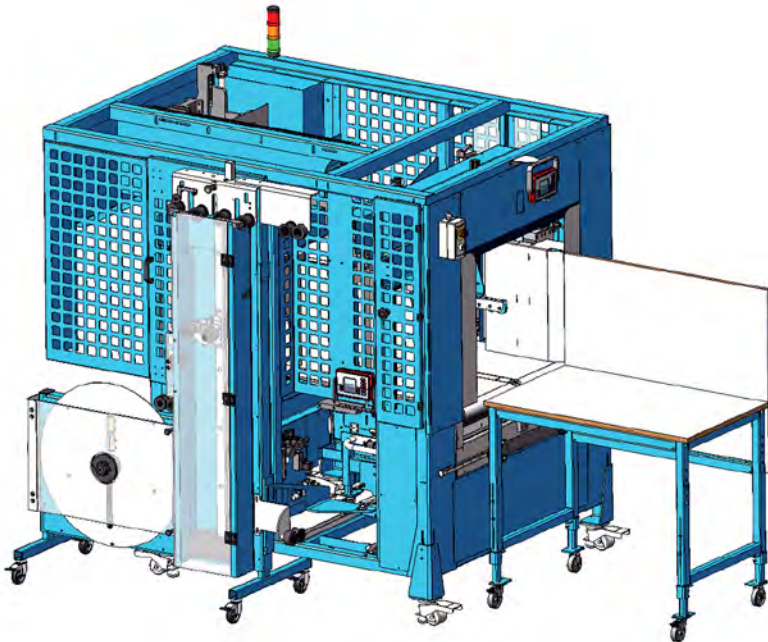
US-2000 TRS-SW-L3

- > Manual or fully automatic takeover from stacker
- > Four-sided squaring
- > Compression
- > Jumbo roll material dispenser
- > Up to 22 bands per minute



US-2000 TRS-SW

- > Manual or auto loading
- > Aligns all sides
- > Compression
- > Up to 20 bands per minute



US-2000 TRC 900

- > Three-sided alignment
- > Compression
- > Jumbo roll dispenser
- > Up to 22 bands per minute

US-2200 LBA-LR

- > Receives product directly from folder gluer stacker without interruption
- > Installed as OEM product behind stacking machine
- > Compression
- > Dual jumbo material roll with autosplicer
- > Up to 25 bands per minute

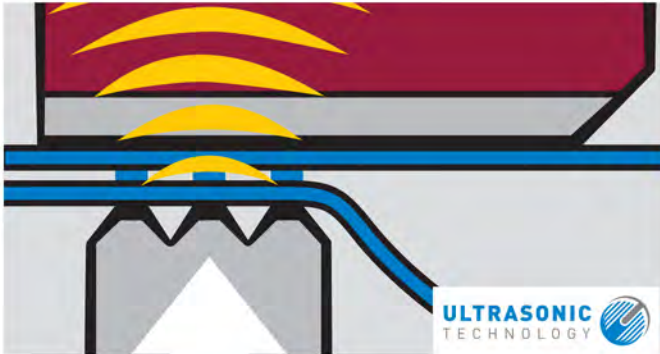


BANDING TECHNOLOGY

Ultra-Sonic welding, edge protection, user friendly:

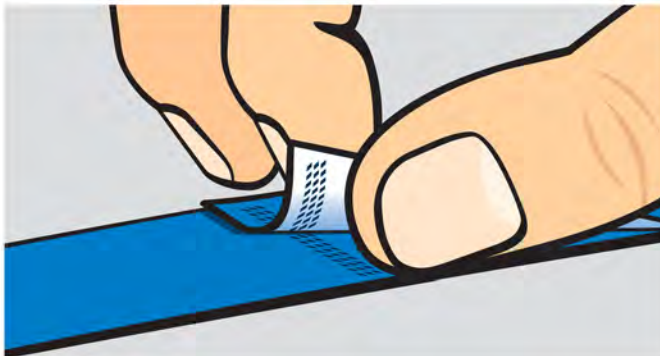
ATS banding technology

With a minimum of material, you can package products expertly, gently strap goods and bundle items while adding extra marketing value. That's banding technology in a nutshell. Find three of the many benefits below:



Ultra-Sonic cold welding

Unique from ATS: No heat generation to create tear-free welding - even when humidity, dust or cold temperatures are present. No maintenance required, clean, harmless.



Adjustable sealing strength

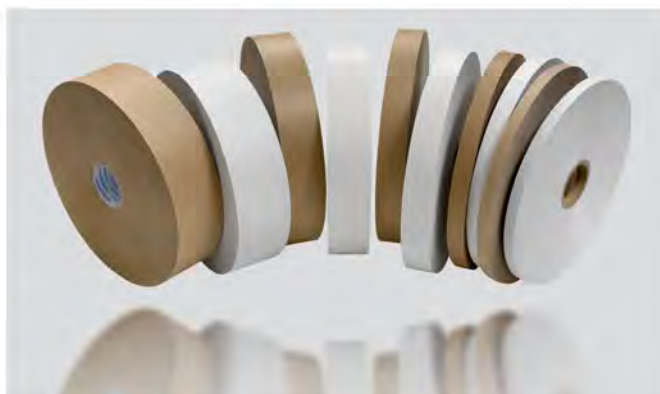
The adhesion strength of the sealing can be adjusted extensively, from a light "peelable" weld to a strong "tamper evident" weld.



Easy-to-use digital control unit

The DCP 2000 control unit in 13 languages guarantees direct access to all of the important functions. Diagnosis and statistics tools provides cost transparency.

Unlimited array of materials

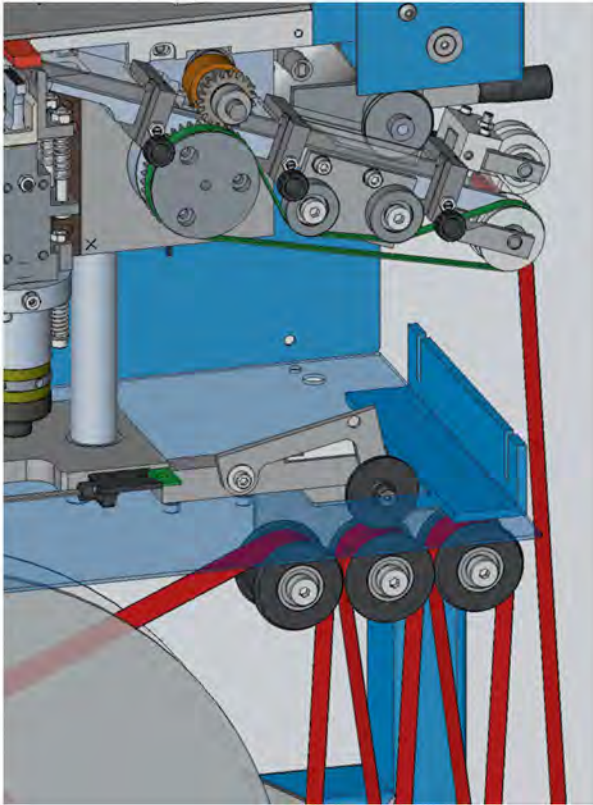


Coated paper banding material



All paper and plastic banding materials can be imprinted with up to 8 colors.

OVERALL PERFORMANCE



Machines with sophisticated technology

Special features and options include;

- > Automatic band feed
- > Band end monitoring
- > Digital controls
- > Print live on band
 - * Serial numbers
 - * Barcodes
 - * QR codes...and more
- > Automatic roll change
- > Jumbo roll dispenser
- > Customized solutions



SWISS  MADE

You can find ATS subsidiaries and national representatives on all five continents at ats-tanner.com.

“ATS: Swiss premium quality with worldwide success stories”

Consulting, machines, banding material and service:

The complete package



Qualified project consulting, mechanical engineering and high-quality banding material (printed and unprinted) form a harmonious unit at ATS. This formula results in individualized complete solutions, complimented by service at the highest possible level.



W204 N13055 GOLDENDALE RD, SUITE 400
RICHFIELD, WI 53076
(414) 355-7747
sales@felins.com

