

HIGH SPEED MANUAL TUB BANDER

U.S. POSTAL SERVICE APPROVED TRAY BANDING SYSTEM

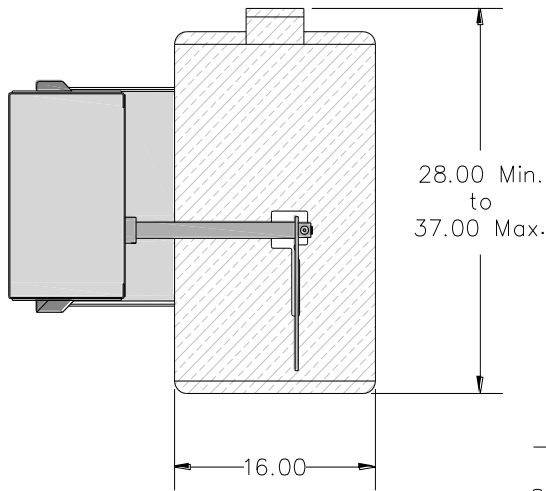


- Flats Tubs
- 1/2 Trays
- Mail Trays
- Bulk Mail

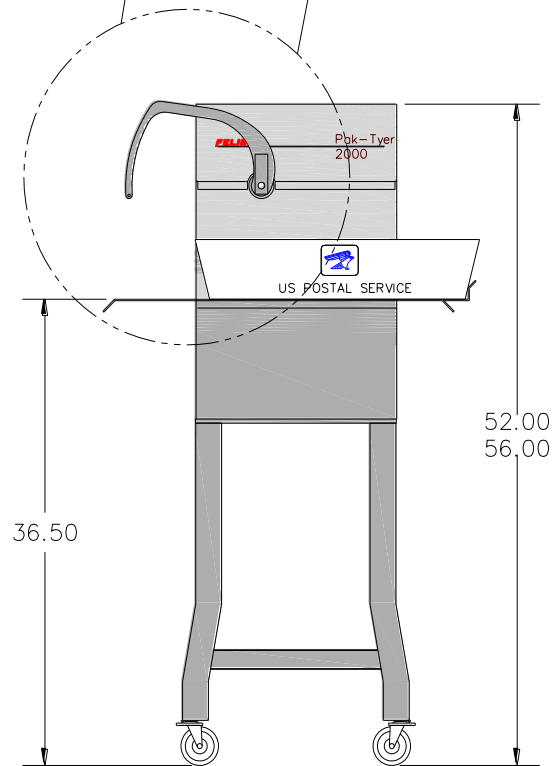
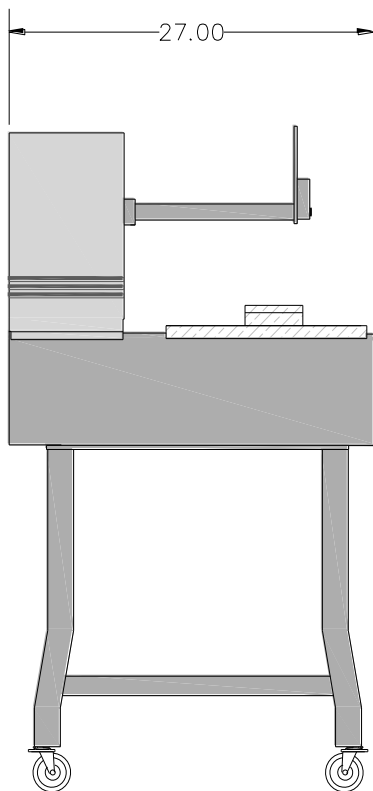
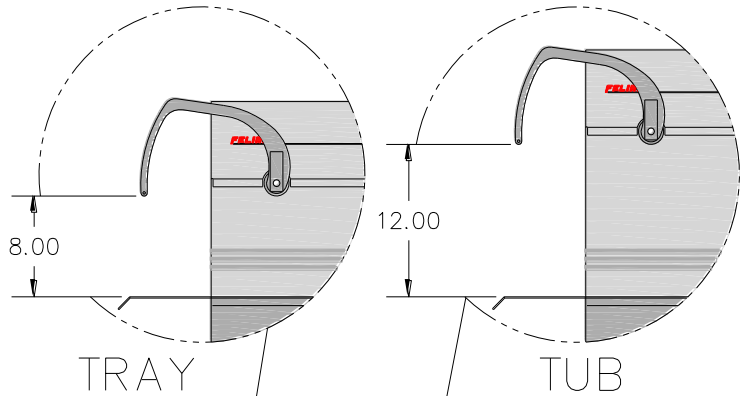
Announcing the Felins 2000-12 Tub Bander for quick and automatic banding of U.S. Postal Service flats, tubs, and mail trays. This low cost bender is perfect for use in mailing operations that produce a mix of mail tubs and mail trays, for as little as one hundred items per day or as many as a few thousand. Manually operated this compact unit can process mail tubs as fast as an operator can feed it, up to 20 tubs per minute. Easy to use, it plugs into any standard wall outlet and is designed for years of rugged use. The 2000-12 Tub Bander uses the low cost

7500 PE banding material to reduce your daily operating costs. These machines are also available in a smaller size that is ideal for mail trays, making an efficient mail tray processing machine.

1-800-336-3220



FELINS
TRAY & TUB BANDERS



1-800-336-3220