

HIGH SPEED MANUAL TRAY BANDER

U.S. POSTAL SERVICE APPROVED TRAY BANDING SYSTEM



The Felins 2000-8 Tray Bander for quick and automatic banding of U.S. Postal Service mail trays.

This low cost bander is perfect for use in mailing operations that produce as little as one hundred trays per day or as many as a few thousand.

Manually operated this compact unit can process mail trays as fast as an operator can feed it, up to 30 trays per minute.

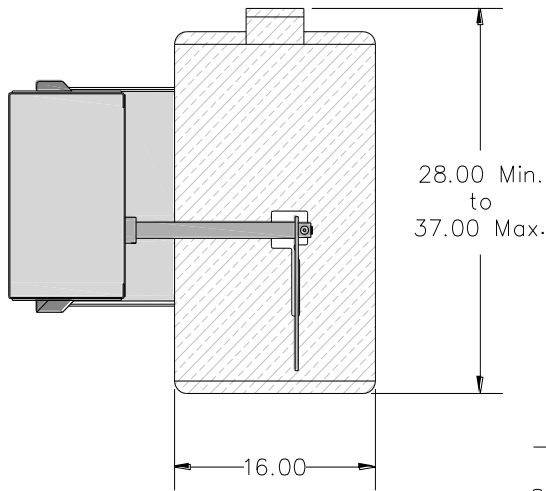
Easy to use, it plugs into any standard wall outlet and is designed for years of rugged use.

The 2000-8 Tray Bander uses the low cost 7500 PE banding material to reduce your daily operating costs.

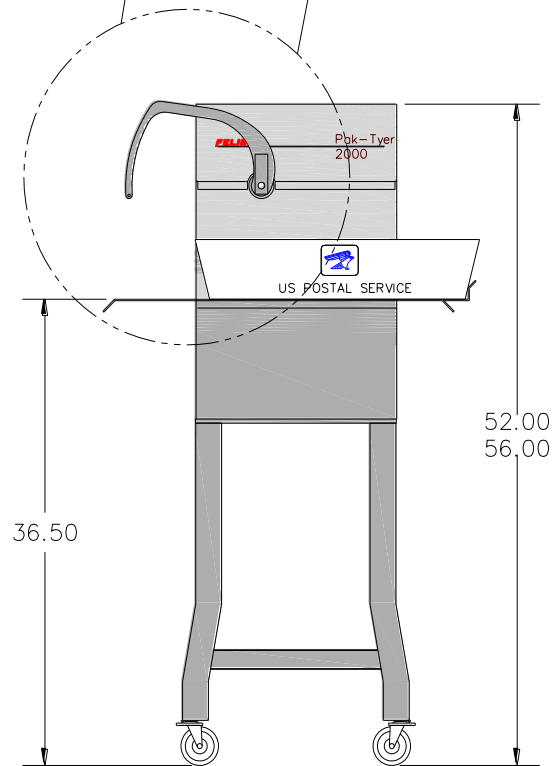
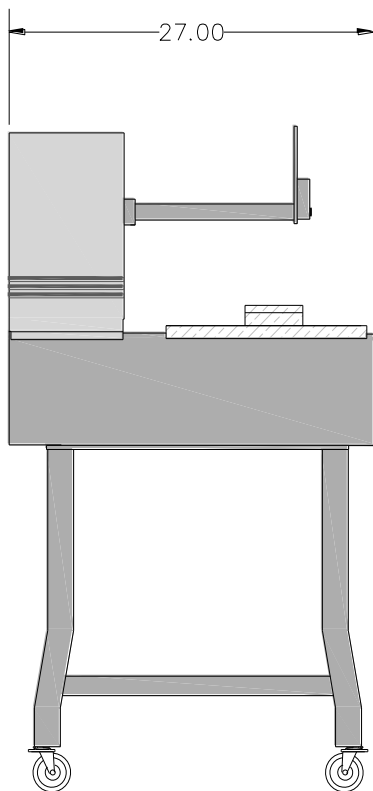
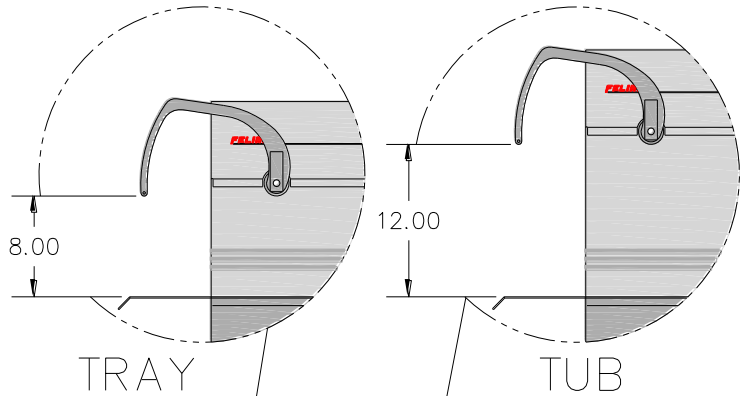
These machines are also available in a larger size that is ideal for flats tubs, making an efficient all purpose mail processing machine.

- EMM Trays
- MM Trays
- 1/2 Trays
- Bulk Mail

1-800-336-3220



FELINS
TRAY & TUB BANDERS



1-800-336-3220