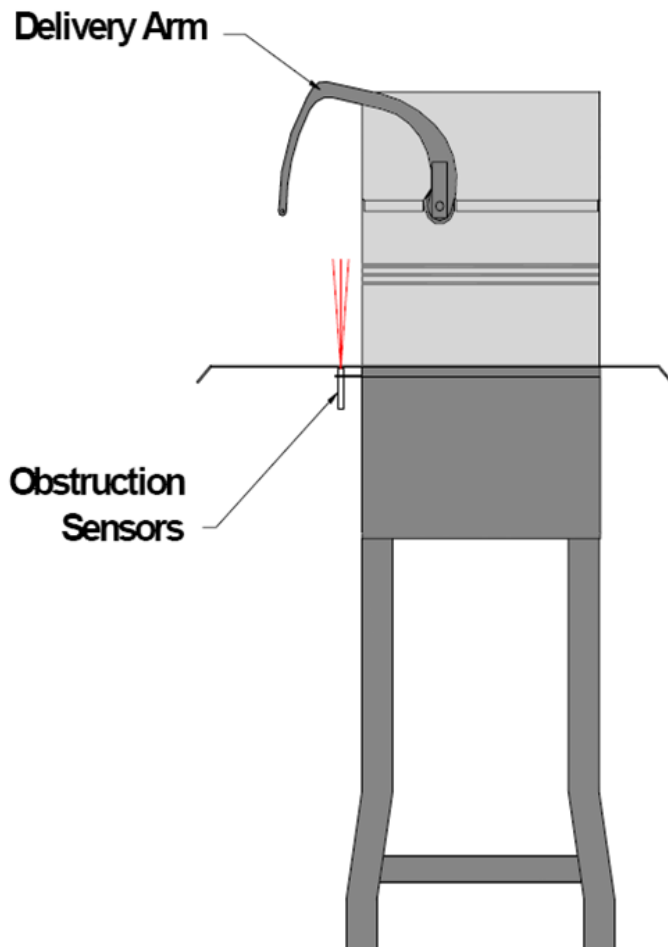


## OBSTRUCTION SENSORS

Felins offers the latest in added machine safety with the electronic photo obstruction sensors. These sensors are integrated into the direct drive and have a four inch field of vision. They are located directly under the table at the leading edge of the delivery arm entry slot.

The obstruction sensors are designed to prevent the operation of the machine if an object is blocking the sensors field of vision. The delivery arm will not activate if the sensors are blocked. In addition, the sensors will instantly stop the delivery arm if an object covers or blocks the sensors during the cycle.

These sensors combined with the Felins exclusive Breakaway Arm provides your operators with additional safety in the workplace.



## ADDED SAFETY

The Obstruction Sensors can be retrofitted to your existing PakTyer 2000™ machine\*. All you need to do is contact Felins at 800-843-5667 with your model and serial number to get started with this additional safety feature.

*\*Not available on all models*

**1-800-336-3220**