

COIL TYING STATION

FELINS HAS THE SOLUTION to your circular bundling problems. With our new specially designed 2000 Series Coil Tyer, Felins can help you tie up almost any size coil quickly and easily. Even products like garden hoses, V-Belts, surgical tubing, and coils of rope are a snap for the Felins Coil Tyer 2000.

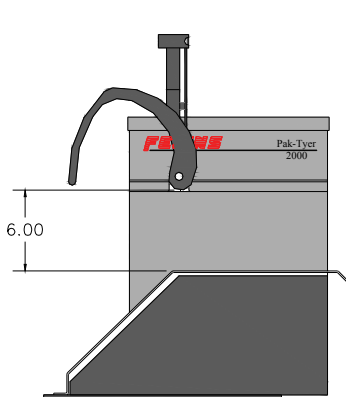
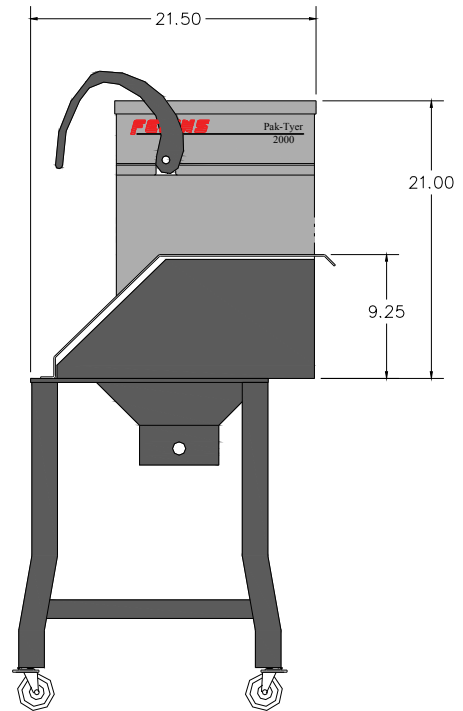
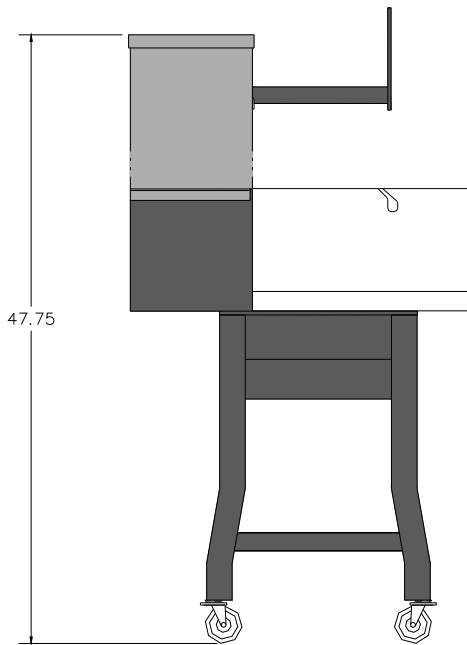
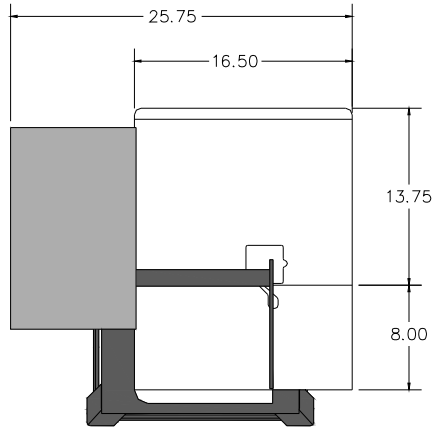


SPECIAL FEATURES. With our unique table design and flow through system, Felins can bundle coils of any product having a minimum inside circle diameter of three inches and a maximum of twenty-four inches. There is no limitation on the outside dimensions of any coil because all you need to do is place the coil in position and activate.

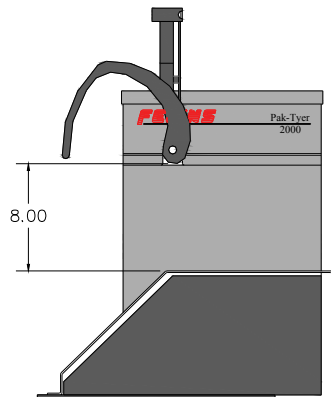
CLEAN AND SIMPLE. The tying material is automatically dispensed around the wall of the coil and tied off with a knot. This secures the bundle from shifting or unwinding. A second tie is then placed around the opposite wall of the coil to give you a firmly bundled coil. The entire process is completed in seconds without using messy tapes or expensive twist ties.

COST SAVINGS. The labor savings speeds that you will enjoy with new coil tying unit will enable you to bundle up to twenty coils per minute with a variety tying materials. And, with our heavy duty construction and direct drive system, you will enjoy savings for years to come.

FELINS COIL TYERS



2000-6 COIL TYER



2000-8 COIL TYER

1-800-336-3220

8306 W. Parkland Court

Milwaukee, Wisconsin, 53223

Ph 414-355-7747

Fax 414-355-7559

www.felins.com sales@felins.com