

FELINS

ATS

US 2100 Wide Format Bander

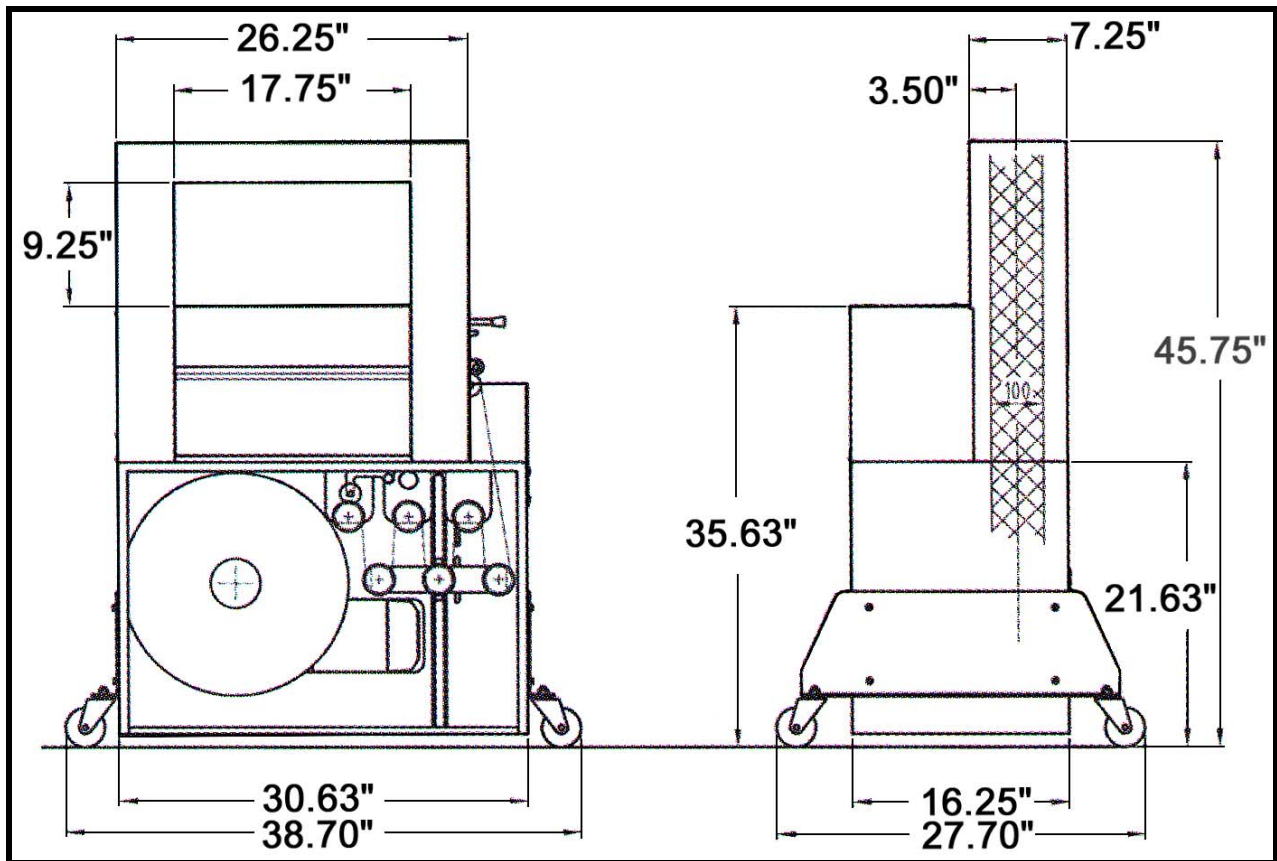


Featuring the same Ultra-sonic cold-weld technology as the US-2000 series, Felins offers the ATS US-2100 wide format bander. The large format bander is specially designed for band widths of 75mm and 100mm, respectively.

The Ultra-Sonic cold-weld technology ensures fast, clean and consistent sealing. The welder has no heating element, allowing for immediate use and eliminating film residue buildup.

Wider banding material eliminates the cost of inner packs and full shrink over wraps. It is also a useful tool for marketing and advertising of products. Materials can be custom imprinted with company specific information, including bar codes. The ATS US-2100 is also available with a thermal printer, capable of imprinting on either paper or plastic banding materials.





Specifications

Band Widths	75mm (3") or 100mm (4")
Dimensions	See Above Diagram
Speed	25 - 30 bands per minute
Bundling Tension	Freely Adjustable
Weld Method	Ultra-Sonic Cold Weld
Power Requirements	115V/230V



For more information and pricing, contact Felins Incorporated at

1-800-336-3220

8306 W. Parkland Court • Milwaukee, Wisconsin, 53223 • Tel. 414-355-7747 • Fax 414-355-7559

Internet www.felins.com • E-Mail sales@felins.com